

OWNER'S MANUAL

CAUTION: Read the instructions before using the appliance!

CARPET WIZARD



TABLE OF CONTENTS

Safety Instructions.....	2
Limited Warranty.....	3
Typical Installation and Proper Placement	4
Installation to Island and Electrical Connection.....	5
Installation to Concrete Structure.....	6
Installing the Chemical Containers.....	7
Loading Product.....	8
Standard LED Display.....	9
LED Timer Setup.....	10
Programing Bill Acceptor.....	11&12
Programing Microcoin QL Acceptor.....	13
Programming the MA-800 Acceptor.....	14
Maintenance	15
Trouble Shooting.....	16-19
Parts Guide (Exploded Views.....	20-31
Notes.....	32
Programing Coupons.....	33



SAVE THESE INSTRUCTIONS

IMPORTANT SAFETY INSTRUCTIONS READ ALL INSTRUCTIONS BEFORE USING THIS APPLIANCE

WARNING: TO REDUCE THE RISK OF FIRE, ELECTRIC SHOCK OR INJURY:

Do not use on wet surfaces. - Use only as described in the manual. - Use only manufacturer's options and attachments. - Do not put any objects into openings. - Do not use with any opening blocked; keep free of dust, lint, hair, and anything that may reduce air flow. - Keep hair, loose clothing, fingers, and all parts of body away from openings and moving parts. - Do not pick up anything that is burning or smoking such as cigarettes, matches or hot ashes. - Do not use without filters in place. - Do not use to pick up flammable or combustible liquids such as gasoline or use in areas where they may be present.

NOTICE:

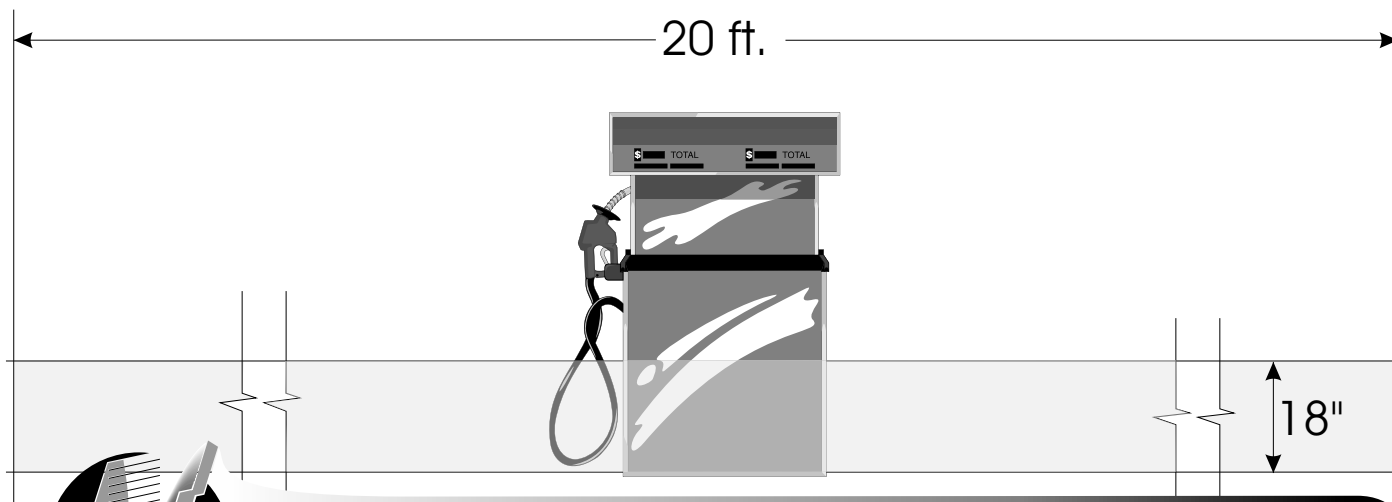
This equipment must be installed in full compliance with all applicable local, regional, and national codes, standards and rules.

European Installations:

Installation of this appliance must incorporate and provide full disconnection of all poles in the event an overvoltage category III condition. Such incorporation to the fixed wiring must be in accordance with the wiring rules.

DANGER:

This equipment incorporates parts such as switches, motors, or the like that tend to produce arcs or sparks which can cause an explosion. When located in gasoline dispensing and service stations, install and use at least 20 feet horizontally from the exterior enclosure of any pump and at least 18 inches above driveway or ground level.





Limited Warranty

Industrial Vacuum Systems, (IVS), warrants this equipment against defects in workmanship and material and will remedy any defect according to the terms of this *Limited Warranty*.

IVS will repair or replace at its option, any defective part(s) or component(s) for a period of one (1) year from the date of purchase. This *Limited Warranty* extends to the original purchaser only.

To make a request or claim for service under the terms of this warranty, the original purchaser must contact IVS and provide the product serial number, a description of the problem (including some indication of the parts or components felt to be defective), and the date of purchase. No parts, components or the equipment should be returned without authorization from us.

The original purchaser shall be responsible for all shipping charges. Any item authorized by IVS for return under the terms of this *Limited Warranty* must be shipped prepaid, in the original shipping container or equivalent to IVS or to a local service center as authorized and determined by IVS. The purchaser assumes the risk of loss or damage in transit. (Please refer to your owner's manual or contact IVS if you need further information about proper shipping procedures.)

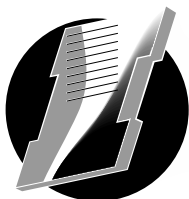
REPLACEMENT OR REPAIR OF PARTS OR COMPONENTS IN ACCORDANCE WITH THE ABOVE *LIMITED WARRANTY* SHALL BE THE PURCHASER'S SOLE AND EXCLUSIVE REMEDY AGAINST IVS.

This *Limited Warranty* does not cover equipment that has been damaged due to misuse, mis-application, attempted theft, vandalism, accident, connection to an improper voltage supply or as a result of modification by other than IVS. Components such as filters, gaskets, electrical components, hose fabric, rubber, plastic parts, or similar items are subject to wear or consumption during normal operation and this normal disintegration is not covered by the *Limited Warranty*.

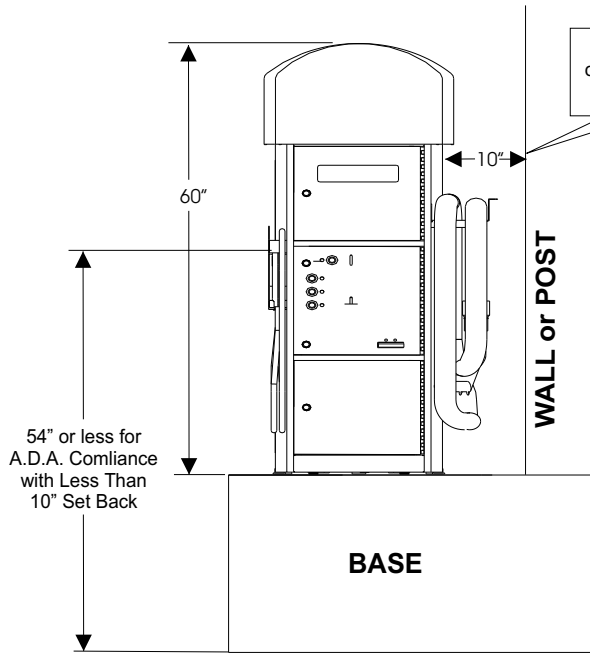
IVS makes no warranty concerning the compliance of the equipment with any local, state or federal/national laws or regulations. The purchaser agrees to accept full responsibility for complying with such laws,

THERE ARE NO WARRANTIES OTHER THAN THOSE ON THE FACE HEREOF DESCRIBED ABOVE AND THEY ARE IN LIEU OF ALL OTHER WARRANTIES WHETHER EXPRESSED OR IMPLIED, INCLUDING BUT NOT LIMITED TO THE IMPLIED WARRANTIES OF MERCHANTABILITY AND FITNESS FOR PARTICULAR PURPOSE.

INDUSTRIAL VACUUM SYSTEMS SHALL NOT BE LIABLE FOR INCIDENTAL, SPECIAL, OR CONSEQUENTIAL DAMAGES INCLUDING WITHOUT LIMITATION DAMAGES RESULTING FROM PERSONAL, BODILY INJURY OR DEATH OR DAMAGES TO OR LOSS OF USE OF PROPERTY.

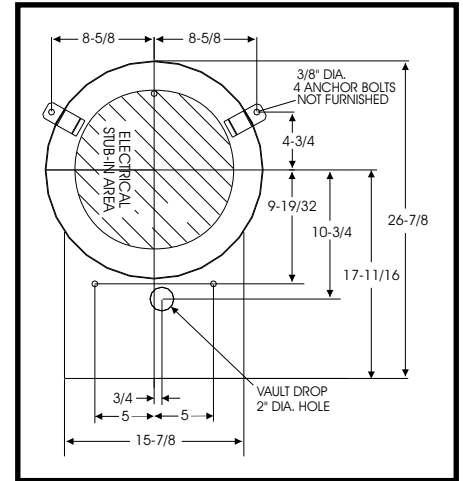


Typical Installation and Proper Placement

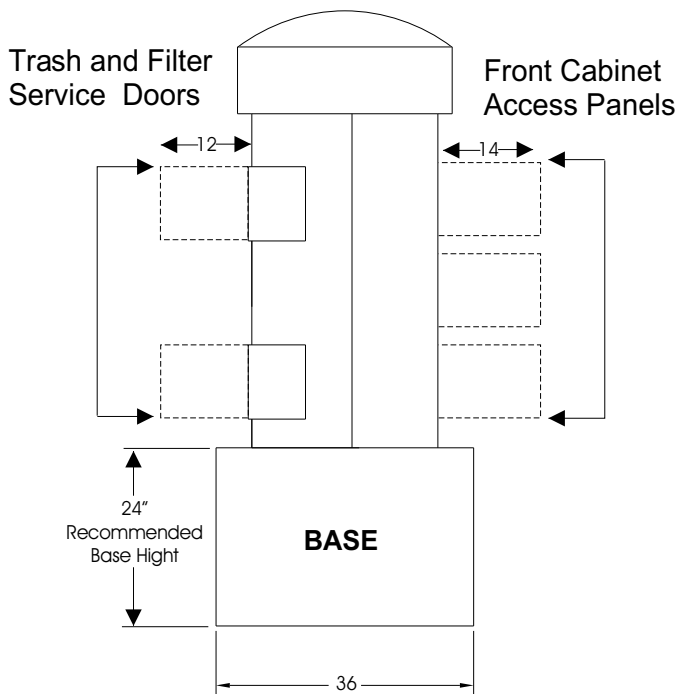


Recommended clearance for vac hose access

*Consider vehicle traffic, ease of access, weather protection and lighting to enhance vacuum serviceability and income. Refer to the SAFETY INSTRUCTIONS sheet on page 2 for restrictions concerning placement of these units in gasoline dispensing locations and service stations. For more information on A.D.A. Clearances please contact the sales

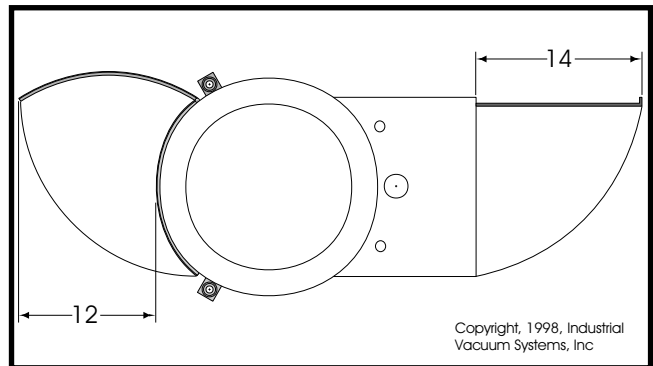


Mounting and Stub-in Area



Site Planning

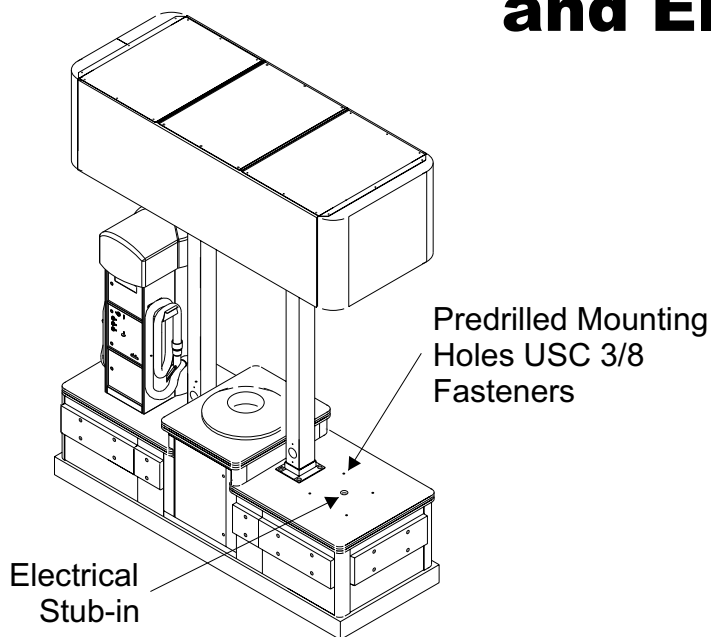
Select and prepare a solid, level site for a concrete or similar base. Consult local codes for foundation requirements. Note: Although we recommend 24" base height above grade, 20" base height above surrounding surface provides minimum protection from typical bumper damage and 30" base height should be considered maximum, considering coin acceptor position.



Recommended Clearance access for door openings



Island Installation and Electrical Connection

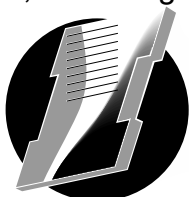
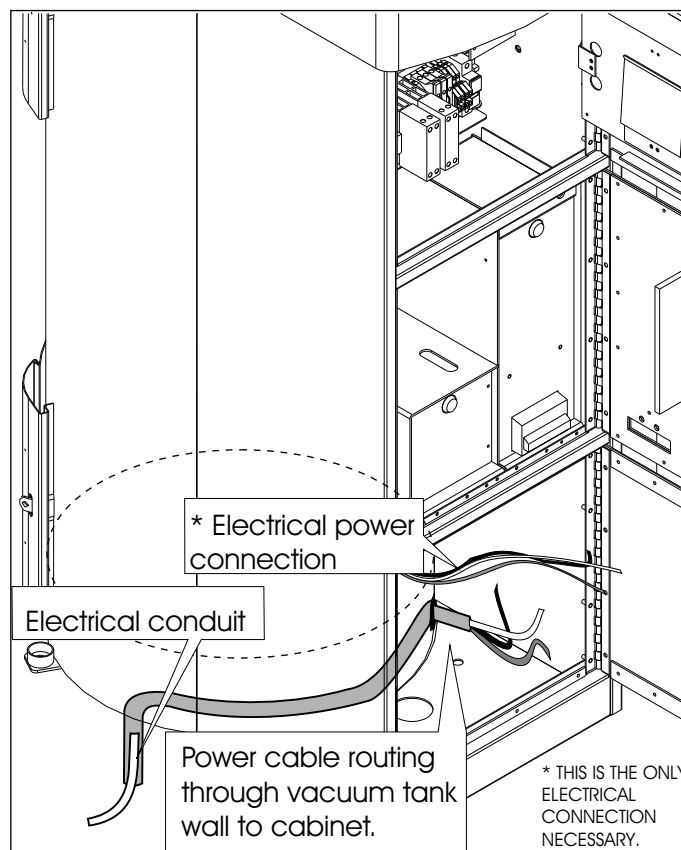


CAUTION ELECTRICAL SHOCK HAZARD. DISCONNECT POWER PRIOR TO BEGINNING ANY SERVICE OR INSTALLATION WORK. GET ASSISTANCE IF YOU ARE UNSURE OF THESE PROCEDURES.

Connect to electrical service. This unit is rated at 21 Amps(2 motors), 120 VAC (3 motors), (operating). It should be connected to 30 Amp single circuit service. Check local codes and requirements and refer to "IMPORTANT SAFETY INSTRUCTIONS" on page 2 of this manual.

*Connect to a properly dedicated 30 amp, 120 VAC 60 hz power source. Installation should be performed by a qualified electrician. Unit installation must comply with local and national codes.

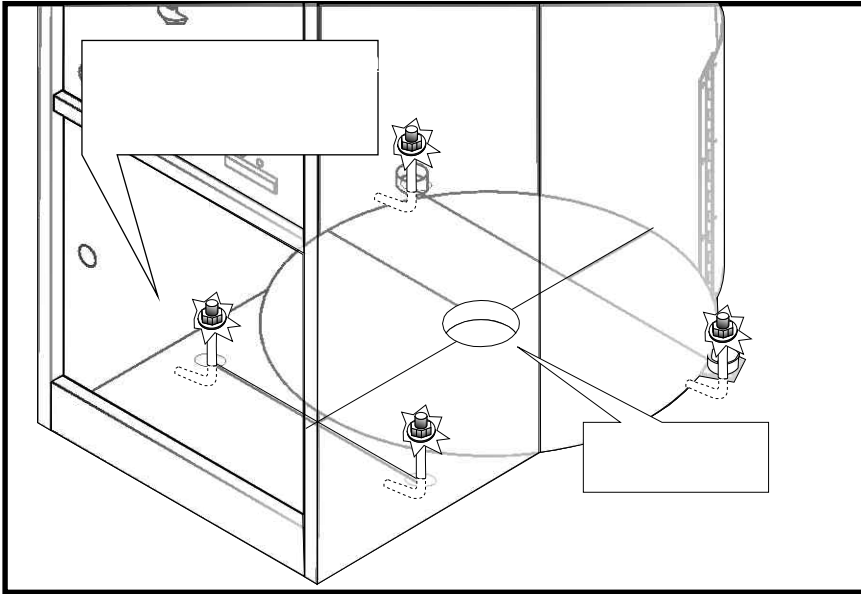
- 1 The electrical power should be stubbed in under the 18" vacuum tank cylinder (refer to installation instructions on Page 6).
- 2 Maintain approximately 2" of clearance from the edge of the vacuum cylinder. There is 4 inches of vertical clearance from the mounting surface to the underside of the vacuum.
- 3 Route the power cable through the large hole to the right in the vacuum tank wall, through the front cabinet to the electrical power connection.
- 4 A make-up box is not provided, when wiring power source into vacuum Please keep the connection in the lower door, the far right corner is recommended.



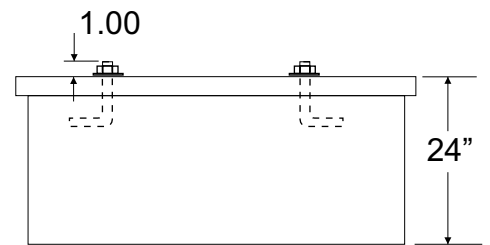
CARPET WIZARD

Installation to Concrete Structure

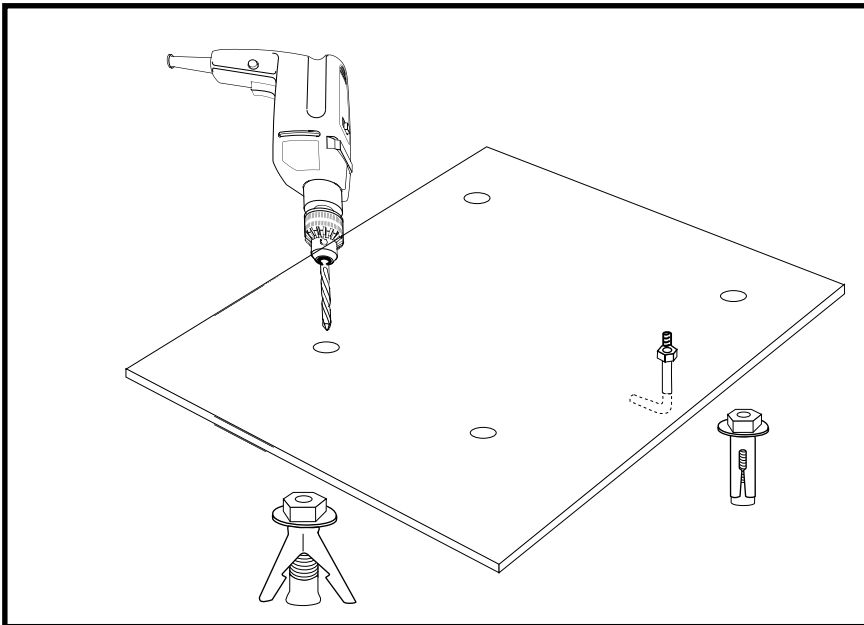
Using "J" Bolts:



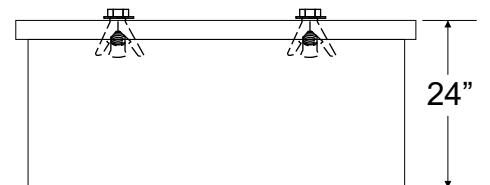
J-Bolts (new construction only). Carefully locate 4 "J" bolts while forming concrete or masonry base. The plywood shipping base can be used as a locating fixture for the "J" bolts while the concrete is formed. See illustration to the left.



Masonry Anchors:



Anchors are used for existing construction only. Drill and install suitable masonry anchors to accommodate a 3/8 inch lag screw. Check anchor supplier information for proper drill size. HINT: Use the plywood base as a template for drilling the anchoring pilot holes. See illustration to the right.



INCREDIBLY POWERFUL

CARPET WIZARD

REMOVING AND LOADING PRODUCTS

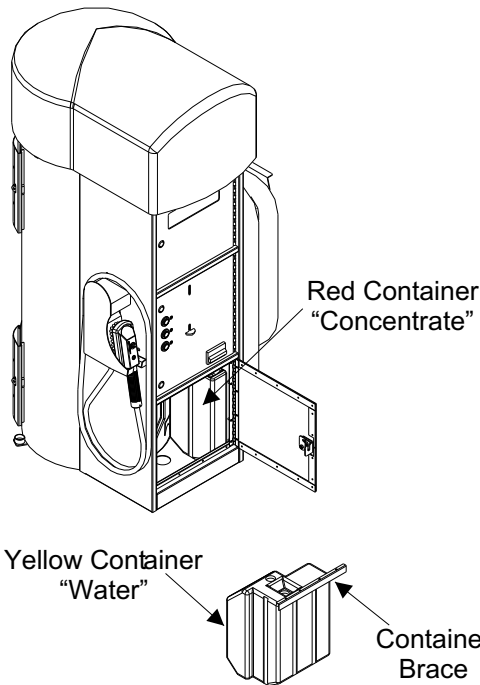
Prep

To remove the product containers:

Unscrew the container brace from the far right red container. Then remove yellow container which is still attached to the container brace.

To re-install the containers into cabinet of the Fresh'N'Up unit, first place red container into the far right corner of the bottom cabinet. Then place yellow container that is still attached to the brace into bottom cabinet. Then re-attach the container brace to red container.

Insert the product hoses into their respective containers. Hoses are to be placed in the rear openings of containers (the openings with no funnel around them). Make sure the hose and filter are secured at the bottom of each container. The hoses are color coordinated to a specific container. Yellow is the water container, and red is the concentrate container. Do not dilute the concentrate. The red plugs provided will provide enough tension to keep hoses in place without cutting off suction.



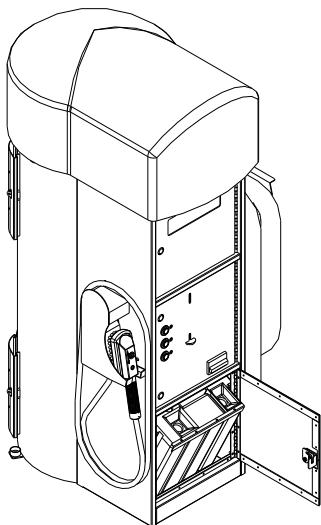
Load

To Replace Used Product :

Tilt the product containers forward. (The product containers are designed to support themselves at this angle. Then simply pour the correct fluid in the corresponding container and replace plugs in containers.

Winter Solution

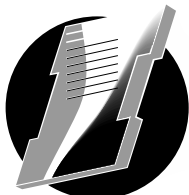
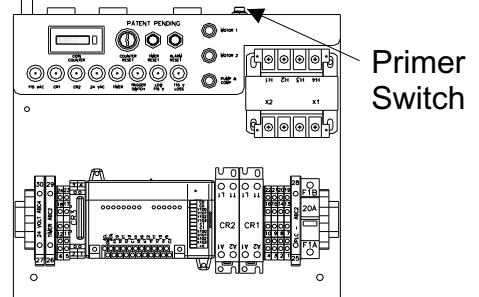
As Cold Wether Approaches: protect your Carpet Wizard by install an anti-freeze solution. By adding regular blue wind shield anti-freeze to the water container this will prevent the pumps and hoses from freezing in wether below 32 degrees F. It is important that you install this solution before freezing occurs. Make sure to run the solution through the enter unit before customer operation. For best results use 2 part water and 1 part wind shield anti-freeze solution. This will enable your Carpet Wizard to operate at 0 degrees F.



Prime

Once product is loaded properly: feed the fluid through the hoses using the primer button located on the control chassis (see diagram of chassis). Press and hold the primer button and the brush switch at the same time until the bush starts to foam.

Control Chassis





Standard LED Display

This machine employs a dual-mode timer, which features a built-in L.E.D. Digital display assembly

The dual mode of the timer is like two (2) timers running simultaneously. They communicate with each other to inform the user of the monetary credit remaining. This allows the user to switch between the two (2) timers resulting in a recomputation of time remaining based on the correct service selected. An additional feature includes the grace time feature, giving the customer 17 - 20 seconds to insert more coins for additional time.

Each mode of the dual mode timer is programmable for COINS TO START and CYCLE TIME. They are pre-programmed from the factory as follows, unless specified by customers:

Timer A: \$1.00 (4 coins) to start for four (4) minutes vacuum.

Timer B: \$2.00 (8 coins) to start for four (4) minutes of turbo vac.

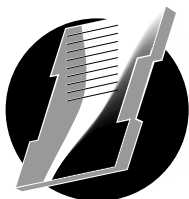
The display feature of these timers is of the scrolling message type and includes three (3) different programmable messages which are pre-programmed at the factory as follows:

Welcome Message: WELCOME TO OUR CARPET WIZARD

Sales Message: TRY SPOT REMOVER ON HEAVY SOIL

Exit Message: TELL FRIENDS ABOUT CARPET WIZARD

To change the factory program from what is listed above, it is necessary to obtain a programmer. Contact your distributor or call IVS at 1-800-968-8227. Instructions for use of the programmer are detailed on the next page.



CARPET WIZARD

LED Timer Setup

1 While message is scrolling (power on), plug in the RC 800 controller (see illustration at right) and press Edit Key to enter into the programming mode. The plug is located on the lower side of the display timer to the right of the timer housing. See illustration at the right.

2 The timer will display "Total Coins". This is the amount of coin pulses the timer has received since the last time that the "Total Coins" was zeroed. To zero, press Delete Key. To save, press Save Key. The Unit will now display "Saved!".

3 After the timer has saved "Total Coins", the display will now go to "Coins to Start". This controls the vend price for the vacuum function. Use the \uparrow or \downarrow Key to change the amount of "Coins to Start". Press the Save Key to save your input. The display will confirm this by displaying "Saved".

4 The timer now displays "Coins to Start B". Follow the same procedure as Step 3 to set the shampoo operation of the unit.

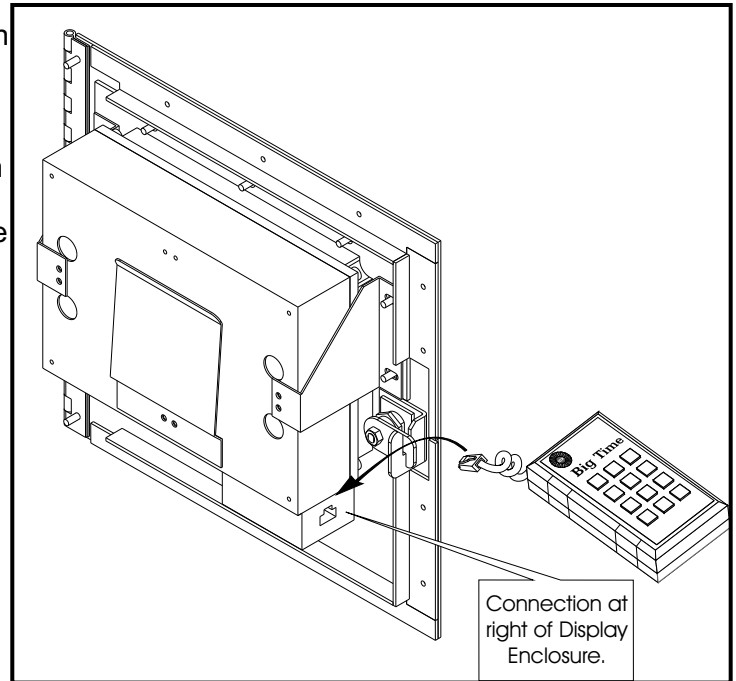
5 The timer now displays "Cycle Time". To change this time by 10 second intervals, press the \leftarrow Key. Then press the \uparrow or \downarrow key to change the time. To change the time by one second intervals, press the \rightarrow key. Then press the \uparrow or \downarrow Key to change the time. To save the "Cycle Time", press the Save Key. The timer will confirm this by displaying "Saved!".

6 The timer now displays "Cycle Time B". Follow the same procedure as Step 5 to set the shampoo operation of the unit.

7 The timer now displays "Enable bonus time?" Set at "NO" (it auto saves). Bonus time allows a short time period for the customer to still invest currency after the vacuum shuts off.

8 The timer will now prompt for, "Last Coin Beep?". Change reply from "10 seconds" to "1 minute" or vice versa by pressing the N key. To save the desired "Last Coin Beep?", press the Save Key.

9 The "Welcome Message" will now appear with the first character located in center of board. If the first character is a blank, use your \uparrow or \downarrow Key.



10 You have 36 places to put characters. A blank space counts as a character. To change characters, press the \uparrow or \downarrow Key. To move the message left one space, press the \leftarrow Key. To move the message right one space, press the \rightarrow Key. To insert a character, press the Insert Key. To delete a character, press the Delete Key. To save message, press Save Key.

11 The "Sales Message" appears next. It also has 36 character capability. Follow the same procedure as Step 8 to program message. The first character in the Sales Message will connect to the end of the Welcome Message.

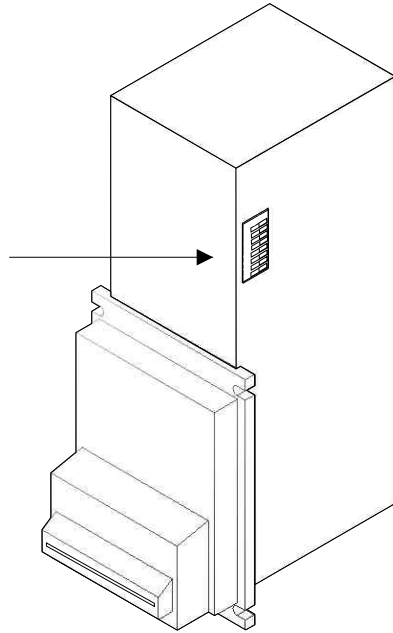
12 The "Exit Message" appears next. It also has 36 character capability. Follow the same procedure as Step 8 to program message. NOTE: The Welcome and Sales messages scroll on the timer all the time. The Exit Message scrolls three times after the timer has timed out.

Disconnect the RC-800. Programming is now complete.



Presets for the Bill Acceptor

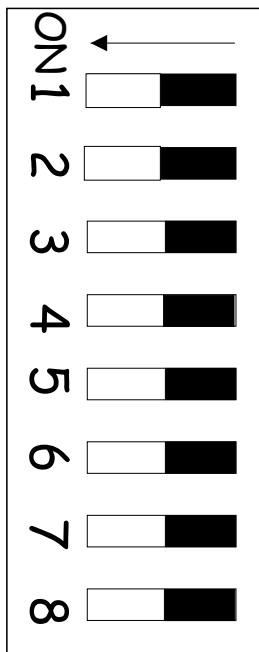
Option switches



When you receive the bill acceptor all switches are off. As a result the following options are programmed:

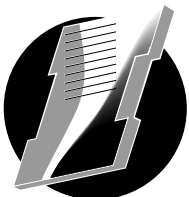
1. Accepts \$1 dollar bills only
2. Four way accept
3. High Security accept
4. Long pulse
5. Four pulses per dollar

IMPORTANT: do not change the settings for items 4, or 5. This will cause the Fresh'N Up to Malfunction.



Do not program using the switches. All switches must remain in the off position. Acceptors come preprogrammed in order to work properly with the other electrical components of the machine. Use only the coupon to program the acceptor and only change sections 1 and 2.



IMPORTANT NOTE: Placing any switch ON will override the above options, and the Bill Acceptor will operate according to the switch settings labels.



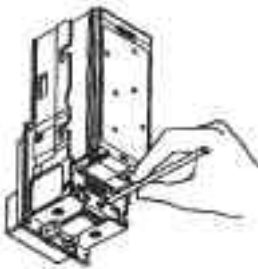
CARPET WIZARD

Programming the Bill Acceptor

Note:
This coupon
is not to scale.

Insert this end first		
USE #2 Pencil Photocopy can be used	<input type="checkbox"/> <input type="checkbox"/>	Complete sections 1-5 ONLY
	<input type="checkbox"/>	7
# Of Bill Directions	<input type="checkbox"/> 1 <input type="checkbox"/> 2 <input type="checkbox"/> 4	1
\$1	<input type="checkbox"/> High Accept <input type="checkbox"/> High Security <input type="checkbox"/> OFF	2
\$2	<input type="checkbox"/> <input type="checkbox"/> <input type="checkbox"/>	
\$5	<input type="checkbox"/> <input type="checkbox"/> <input type="checkbox"/>	
Pulse	<input type="checkbox"/> Short <input checked="" type="checkbox"/> Long	3
Pulses per dollar	<input type="checkbox"/> 1 <input type="checkbox"/> 2 <input type="checkbox"/> 3 <input checked="" type="checkbox"/> 4	4
Bezel lights On/Flashing	<input type="checkbox"/> On <input checked="" type="checkbox"/> F	5
	<input type="checkbox"/>	6
		 Model: 2400 Configuration Coupon 001
250057042 Rev. 03		

Programming Coupon
Figure 2



Locate Service Button
Figure 3

Using the Coupon to Program

Carefully remove the coupon from this Owners Manual. IF possible make copies of the coupon with a standard, carbon-based, non-color copier. Copies of the coupon are usable only if cut to match the exact size of the coupon. Copies of the coupon are located on the last page of this manual.

Fill out the coupon- Use a #2 pencil. All sections must be complete and fill only one block per line (Figure 2). Sections 3,4, and 5 are premarked with an "X", these are the areas you need to fill in.

Complete Section 1- Enable desired bill direction. Enable 1 or 2 direction face up, or 4 way acceptance (which allows acceptance in all directions).

Complete Section 2- Enable desired bill denominations. Fill in one block for each denomination. High Accept enables maximum bill acceptance. High security may be desired for locations where a higher level of discrimination is desired. OFF will reject bills of the selected denomination.

Locate the service button- On the back of the unit (refer to figure 3). Depress the button once to enter coupon setup mode. Depressing again will exit the mode. All switches must be off before programming with the coupon.

Insert coupon and verify settings were accepted.

ACCEPTED: Coupon returned immediately and LED flashes 10 times when coupon is pulled out.

REJECTED: Coupon returned after 10 seconds. LED flashes number of times corresponding to section improperly filled out. Example three flashes for improper section 3. If rejected, review instructions or try new coupon.

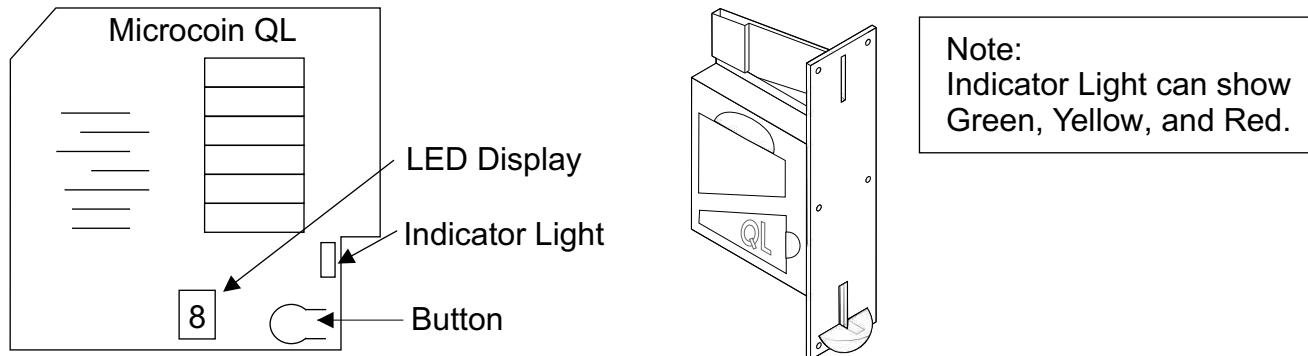


Microcoin QL Acceptor Programming Instructions

NOTE 1: Coins that are pre-programmed should not be programmed a second time.

NOTE 2: Programmed coins can be turned on/off with out re-programming; use enable or disable.

NOTE 3: All Programming instruction are located on the side of the coin mech.

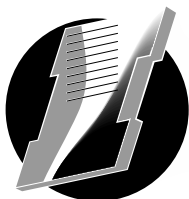


Enabling A Coin

1. Press button 3 times. Indicator light will show yellow flashing. LED will show "1" to represent category number 1.
2. Pressing the button a second time will program the coin to the next category #, up to 5
3. When the appropriate category is showing on the LED, drop 10 different samples through the acceptor.
4. When the 10th coin has been sampled the indicator light is solid yellow.
5. Press button once. LED will read "0" this is the value.
6. Press the button one time for every .25 increments the token is worth, ie. "4" gives the token a \$1.00 (press the button 6x and the LED will read "6" the token value will be \$1.50)
7. When the appropriate value is assigned, press and hold the button for full 2 seconds.
8. When the button is released the indicator light will show solid green.
9. Test the coin acceptor. When complete note the token and value on the side of the microcoin QL.

Disabling A Coin

1. Press button 2 times. Indicator light will show red flashing.
2. Insert coin.
3. Then press and hold the button for 2 full seconds.
4. when button is released the indicator light will show solid green



CARPET WIZARD

Programming for MA-800

Coin Learn Procedure for the IDX MA-800

Slide the front cover up and identify the three controls to be used in coin memory storage procedure.

Black or red button located near bottom right corner.

Rotary switch with sixteen positions (0 to 6 are memory positions) also located near bottom right corner.

LED half way up on right side (green in RUN mode and red memory mode).

Turn the Rotary switch to one of the learn positions (1 to 6) and observe the LED turn red to indicate that the MA-800 is ready to store data.

Push black or red button once for each credit pulse you wish to have issued for this coin. Example, a \$1 coin would be equaled to 4 pulses.

Slide the cover back on the unit to make sure outside light does not interfere with the sensors; light shield must click into place.

Deposit the coin through the acceptor between 6 to 10 times until the LED flashes red and green; this indicates the acceptor is storing.

Once LED starts to flash red and green, slide cover back up and turn rotary switch back to position 0. Be careful not to turn the switch too far or the acceptor will not accept coins.

Once the switch is back in the zero position slide the cover back to closed position and the programming is complete.

THE COIN YOU DO NOT WANT TO ACCEPT MUST BE STORED IN POSITION ONE. Turn rotary dial to position one and press black or red button 13 times, then drop coin that you don't want to accept through 6 to ten times until LED flashes. Turn Dial back to 0 and close light shield.

Coin De-Learn Procedure

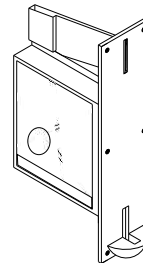
Slide the front cover up and turn rotary switch to the coin # position you wish to remove from memory

Push the black or red button once to initiate the memory storage sequence.

Turn the rotary switch back to position #0 without depositing any coins to signal the unit that you wish to erase.

The LED will flash red-green to indicate completion.

Slide the front cover back down.

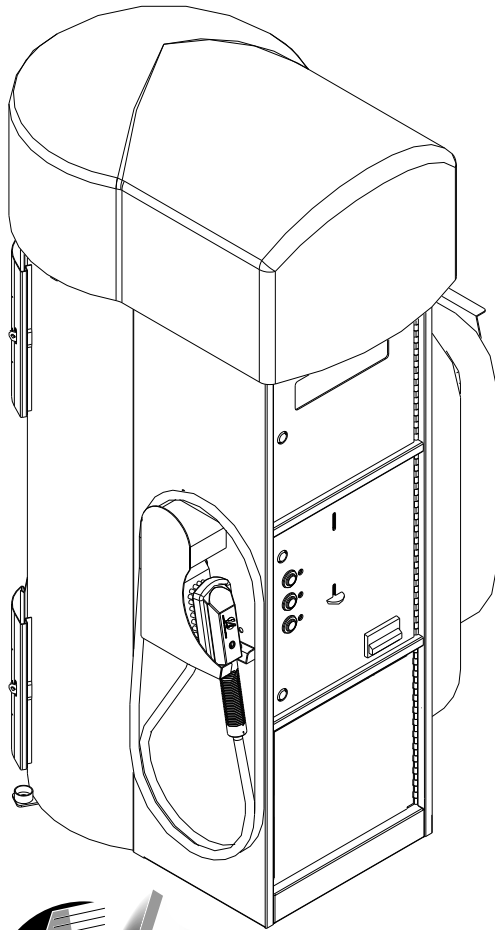


CARPET WIZARD

MAINTENANCE

General Maintenance

- Keep the outward appearance of the unit looking good by using a glass cleaner to clean the front door and lexan faceplate in front of the visual display.
- Apply a stainless steel polish to the cabinet to maintain the appearance.
- Take care not to use abrasive cleaners or rags for these applications to avoid scratching the surfaces.
- *DO NOT USE STEEL WOOL OR OTHER FERROUS BRUSHES TO CLEAN STAINLESS STEEL SURFACES*
- Check motor Brushes for wear and replace as necessary
- If three (3) motor vacuum, order a special nozzle.
- Inspect gasket and replace with factory replacements.



Daily/Weekly Maintenance

- Remove dirt & debris from vacuum.
HINT: consider ordering a debris catcher from your distributor to simplify this process.
- Empty & shake bags weekly
- Exchange bags and wash bi-monthly
- Check hand tools, as suction will be impaired if vacuum nozzle wears excessively
- Always make sure vacuum doors are closed.
- Check hose for signs of wear, replace if excessive.
- Test Vacuum suction and airflow
- Suction Test: Place hand over cuff feel for "pull"
- Air Test: Hold cupped hand near hose inlet feel for "breeze"

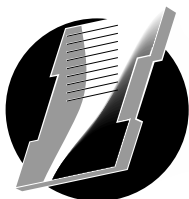


INCREDIBLY POWERFUL

CARPET WIZARD

TROUBLESHOOTING

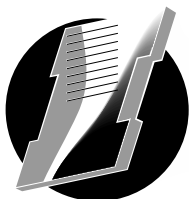
Symptom	Problem	Correction
Poor Performance	Poor Suction	Test by placing hand over end - feel for "pull". With hose end sealed, use plastic bag or sheet to test for leaks at door opening. (Move sheet lightly past suspected areas, plastic will "stick" at leaks.) MAKE SURE VACUUM DOORS ARE SEALED.
	Poor Airflow	Check for overfilled debris areas or hose clog. Clean filters. Check motors to be sure that both are working.
Vending Problems Coins	Coin jams	Check for "overfilled" coin box. Check for clearance of coin path to coin box (remove obstructions). Check "cradle" area of coin mechanism for severely bent coins. Check magnet for Canadian (Magnetic) coins.
Bills	Bill Jams	Remove bill stacker and reinstall for soft reset. Reset main power for hard reset.
	Doesn't accept specific denomination (\$1 or \$5)	Reprogram bill acceptor (see instruction manual)
	Doesn't accept any bills	Check for bill jams in both acceptor and stacker.



CARPET WIZARD

TROUBLESHOOTING

Symptom	Problem	Correction
Unit does not start	Test for line power to unit	Check diagnostic lamp on the control chassis. Make sure the 115 vac lamp is on.
	Test for 24v circuit power.	Refer to diagnostic lights on the control chassis. Make sure the 24 vac lamp is on.
	Text to timer operation	Check for proper timer display activity.
Unit does not operate properly.	No vacuum cycle operation	Check for tripped circuit breakers, then check for lights on motor relays. Circuit breaker and relays are both found on the control chassis.
Display lights are not lit as well as chassis lights.	No power to unit.	Check the main breaker.
		Check the connections at power distribution point to vacuum. Use a voltmeter to probe at the top connection screw of the 30amp fuse block and terminal screw #13 (both located on the control chassis)
115 vac light is off as well as dome lights.	Main fuse	Check for the indicator light on the main fuse. If the light is on then power is available, but the fuse is blown.
		Test or replace fuse, if voltmeter across fuse reads 110v to 120v, fuse is bad.

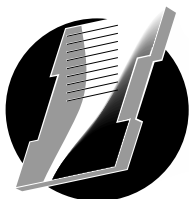


INCREDIBLY POWERFUL

CARPET WIZARD

TROUBLESHOOTING

Symptom	Problem	Correction
Main power indicators lit but timer and mech will not work.	4 amp 24v. Fuse	Look for fuse blown light on the indicator, which is located on fuse cover. Test or replace fuse, use ABC-4. NOTE: this fuse controls the power to the coin mech and bill validator.
	2 amp 24v. Fuse	Look for fuse blown light on fuse cover. Test or replace fuse, use ABC-2 NOTE: this fuse controls power to the display/timer and is needed to establish the purchased credit line
LED timer counts down without vacuum cycle starting.	Vacuum motors won't start or run.	During count down cycle, check for tripped circuit breakers on the chassis panel. Look for overfilled filter bags and other restrictions in the vacuum cycle before restarting the system. NOTE: restrictions to the air flow such as clogged filters cause higher than normal amp draw. This can cause breakers to trip.
Air is present at brush but no Product comes out.	Unit needs to be primed.	Re-prime the unit by pushing the primer button located on the top of the control chassis.

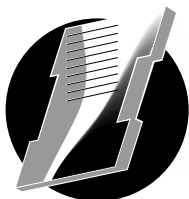


INCREDIBLY POWERFUL

CARPET WIZARD

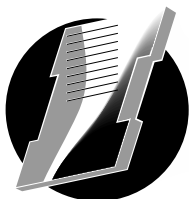
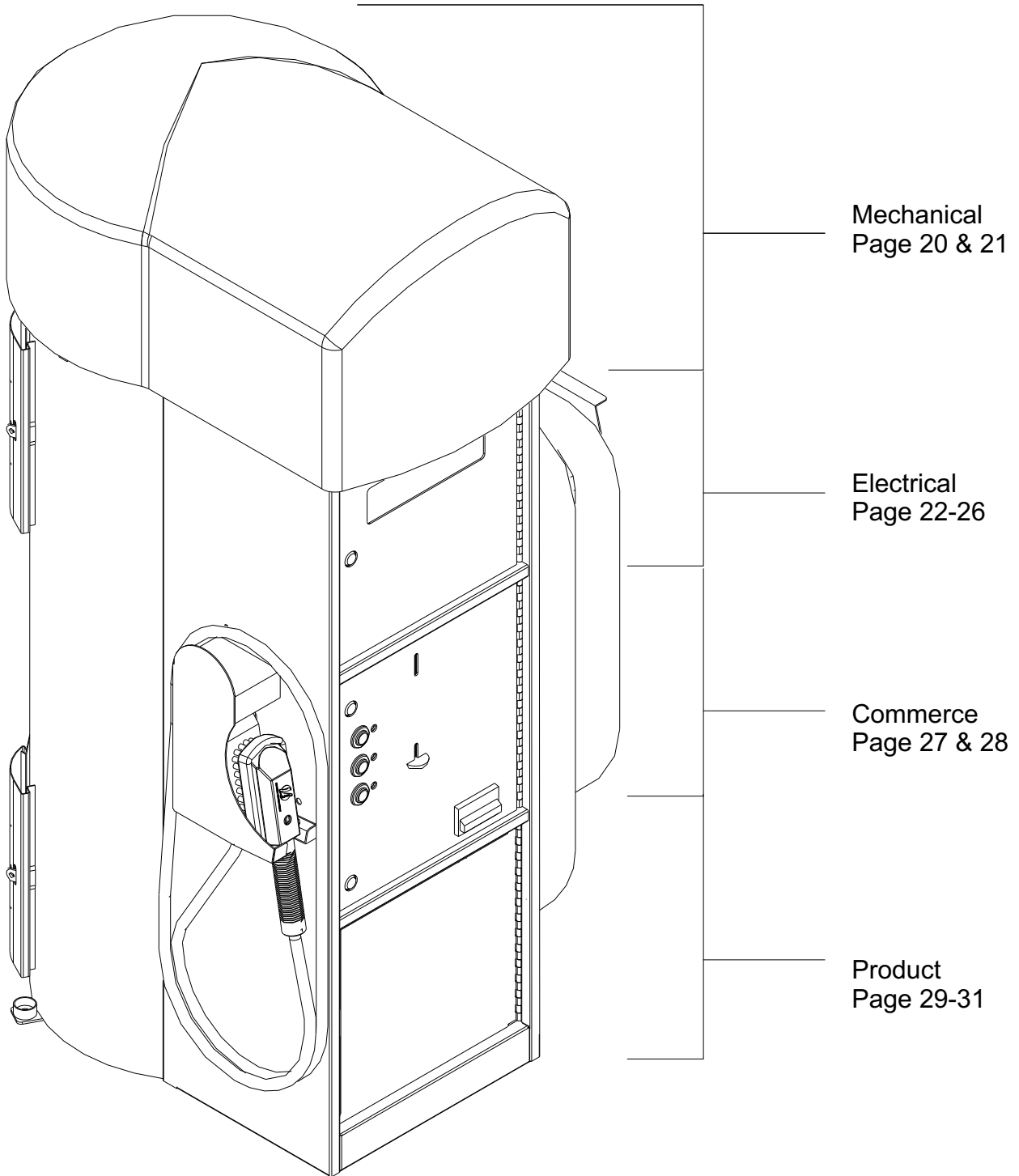
TROUBLESHOOTING

Symptom	Problem	Correction
No product or air at brush.	Possible bad brush switch wiring.	Check the trigger indicator light located on the central chassis. IF the light doesn't come on when the switch is turned on, check for broken wires or a bad switch on the brush.
Compressor activates but no product.	Possible clogged line or bad foam generator.	Check product delivery lines for clogs, or check foam generator for cracks or obstructions.



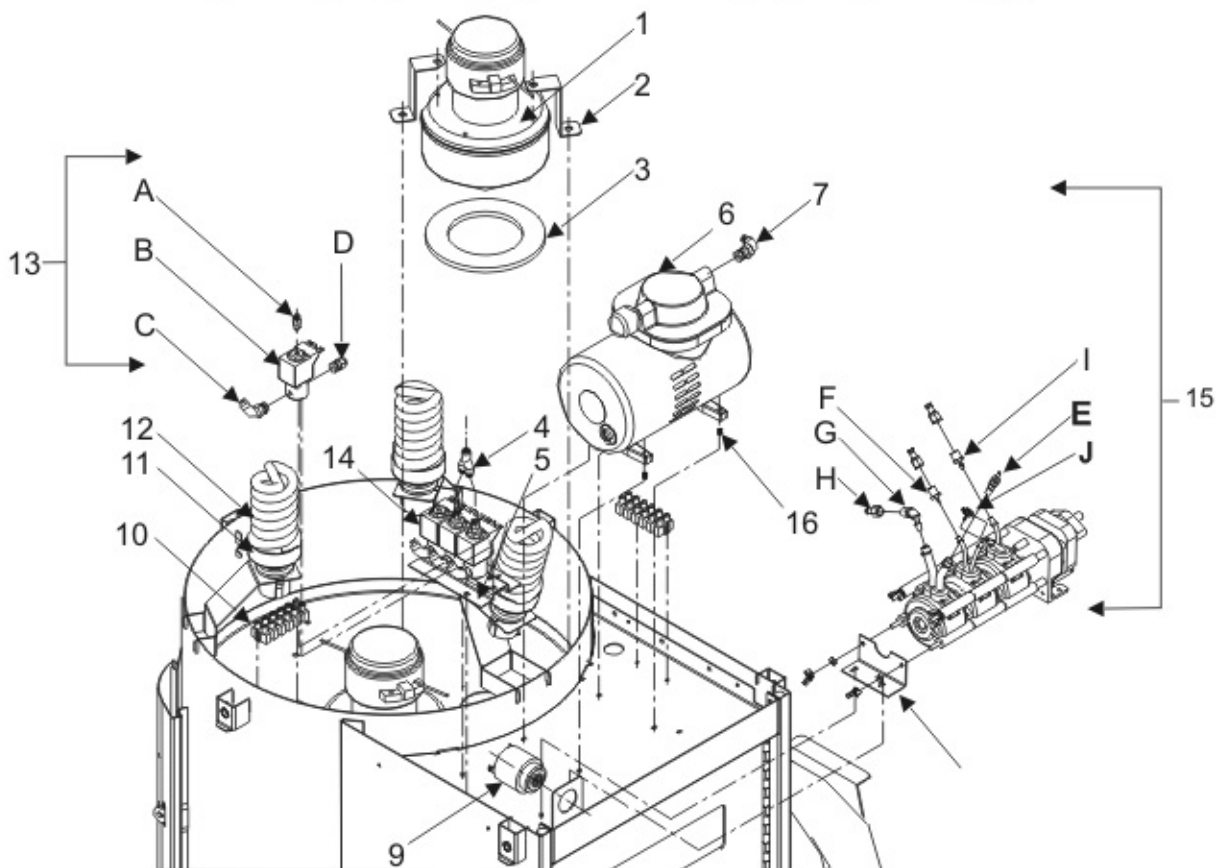
CARPET WIZARD

Parts Sheet Guide



INCREDIBLY POWERFUL

Parts Sheet - Mechanical

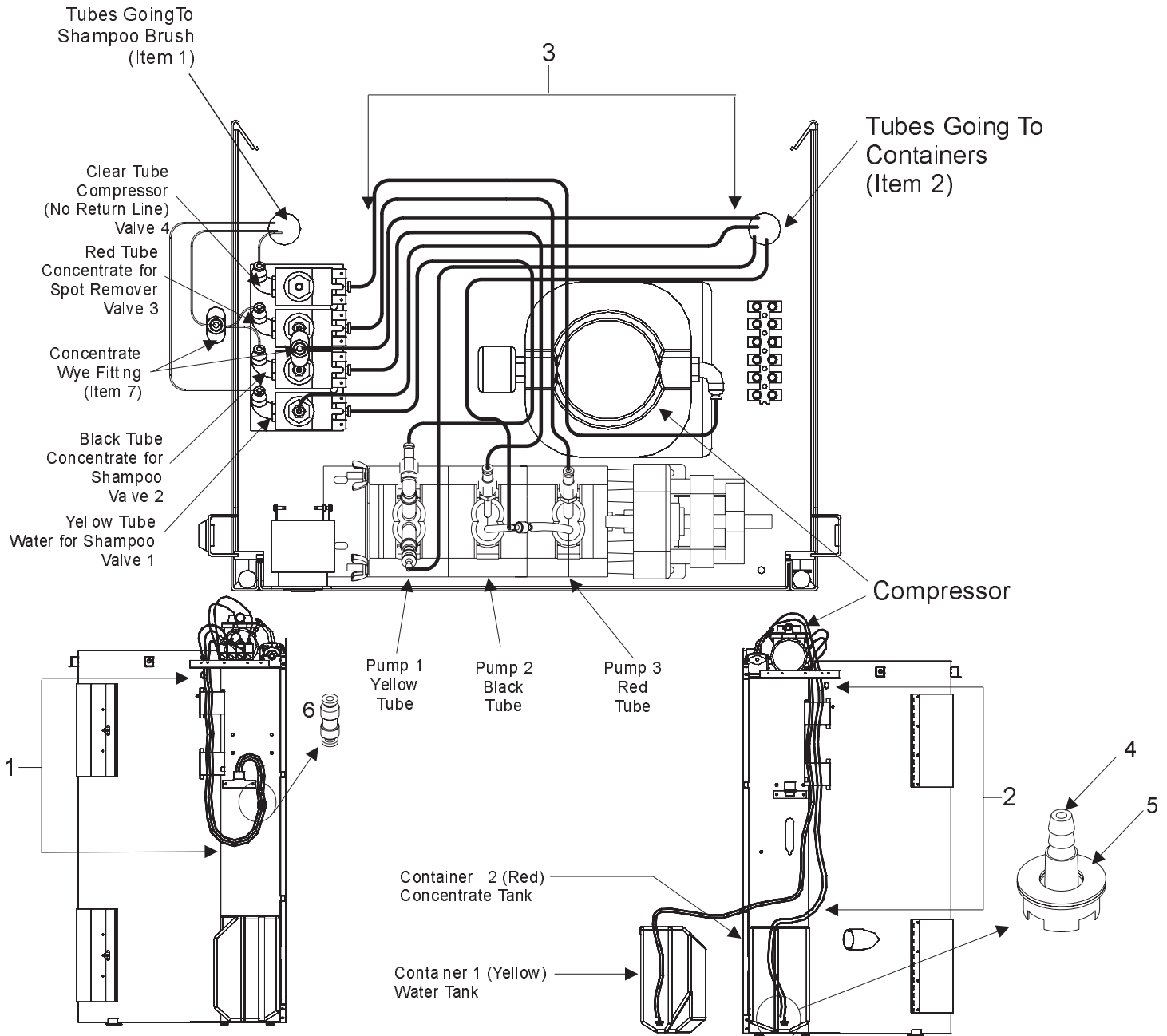


Part Description	Part Number	Kit Description	Qty	Part Number
1 Standard Motor	105101	A Straight Connect Fitting	1	503007
2 Motor Bracket (Quiet)	101000	B 3-way Parker	1	508703
3 Foam Motor Gasket	103301	C 1/8 x 1/8 Swivel ELL Fitting	1	503006
4 1/8 Y Union Fitting	503008	D Male Push Fitting	1	503003
5 Valve Mount	501020	14 Valve / Fitting Compressor	1	504517
6 Air Compressor Kit	504518	<u>Kit Includes B-D</u>		
7 1/8 X 1/4 Swivel ELL Fitting	503007	15 Pump Kit w/ Fitting Includes	1	514511
8 Pump Mount	501019	<u>Pump (3) Tubes And E-J</u>		
9 Combo Unit Beeper	103905	E 1/8 to 3/16 Nylon Union Fitting	1	503013
10 Euro terminal Strip	101822	F 1/8 x 1/16 Brass Barb Fitting	1	503018
11 Light Socket	504608	G 3/16 Ell Barb Fitting	1	503017
12 Light	504604	H 1/8 Female Push Fitting	3	503004
Kit Description	Qty	Part Number		
13 Valve / Fitting Solution	1	504516		
<u>Delivery Kit Includes A-D</u>				
		I 1/8 x 1/8 Barb Fitting	1	503011
		J Brass Reduction T	1	503019
		16 Pump Bumper		106699



CARPET WIZARD

Parts Sheet - Hose Diagrams



Part Description	Part Number	Part Description	Part Number
1 Delivery Tube Kit	514508	4 Strainer (Qty 2)	506800
2 Pick up Tube Kit (Includes 4 & 5)	514509	5 Washer - 3/8 SS (Qty 2 per Strainer)	108912
3 Pump to Valve Tube Kit	514510	6 1/8 x 1/8 Push Union	503005
		7 1/8 x 1/8 x 1/8 Push Wye	503008

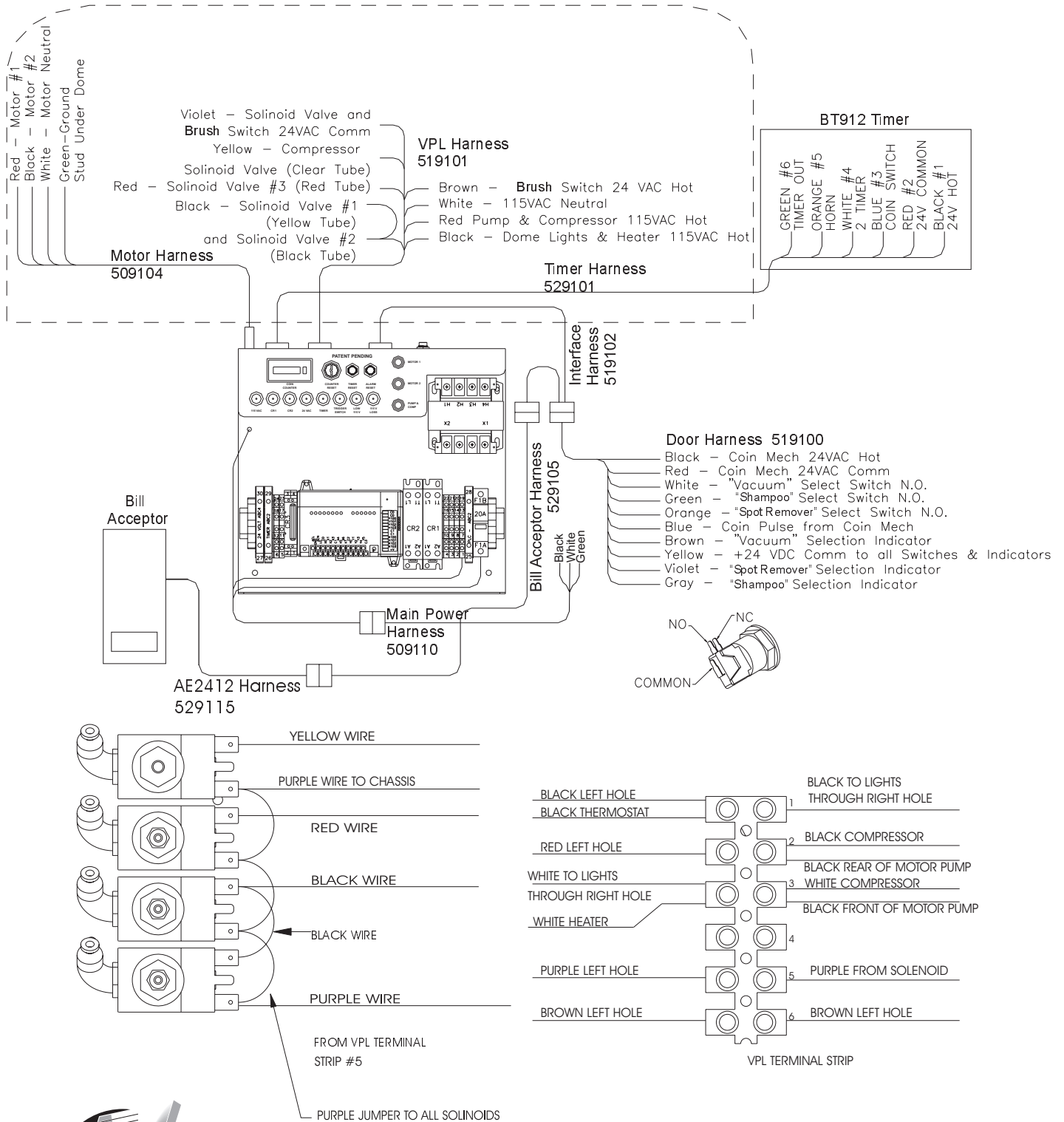


INCREDIBLY POWERFUL

CARPET WIZARD

Machine Wiring Diagram

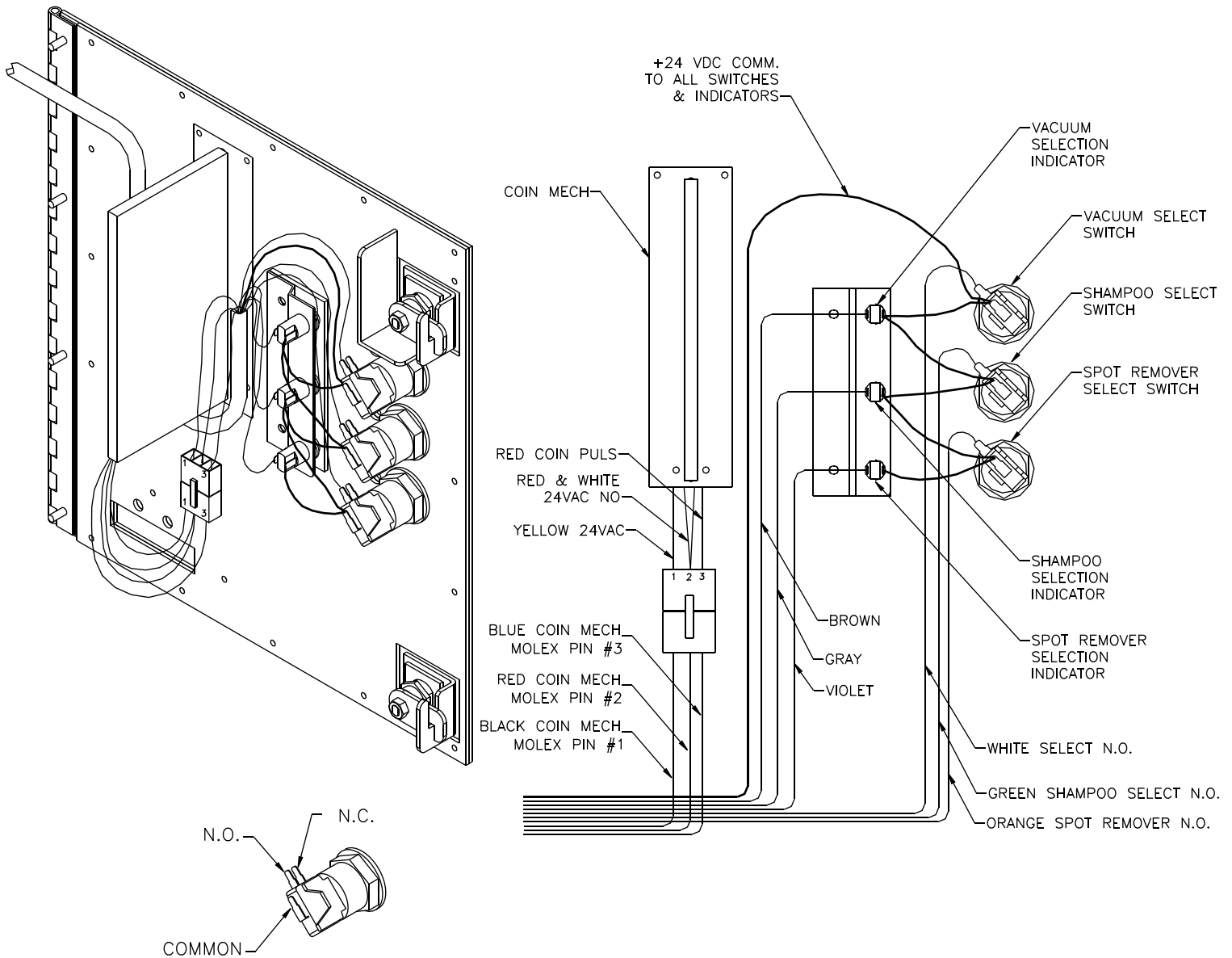
UNDER DOME



INCREDIBLY POWERFUL

CARPET WIZARD

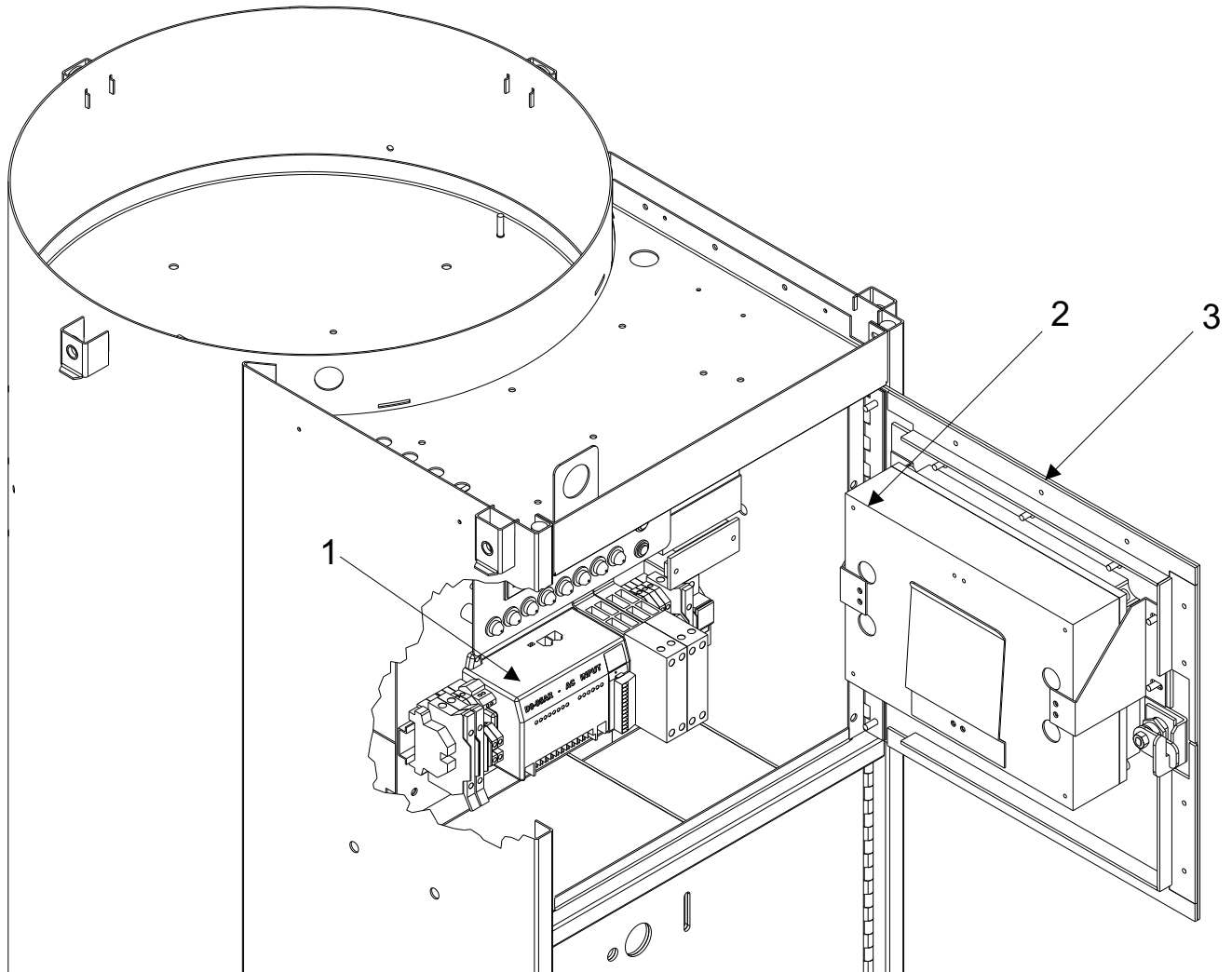
Middle Door Harness Connection



INCREDBLY POWERFUL

CARPET WIZARD

Parts Sheet - Electrical

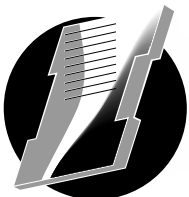


Part Description

- 1 Control Chassis
- 2 Bt912 Display Timer
- 3 Electrical Door

Part Number

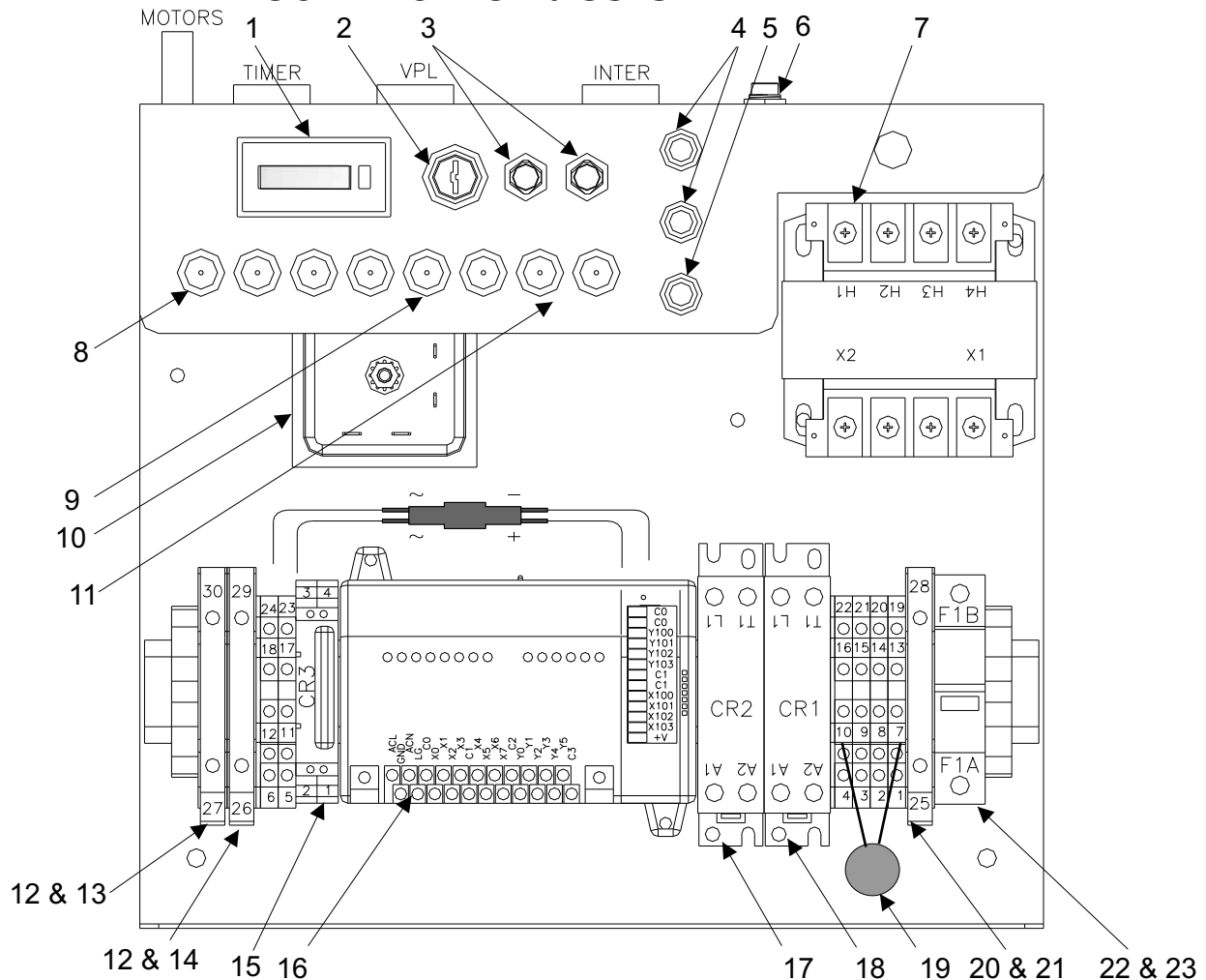
- See Next Page
- 528000
- See Page 28



INCREDIBLY POWERFUL

CARPET WIZARD

Control Chassis



<u>Part Description</u>	<u>Part Number</u>	<u>Part Description</u>	<u>Part Number</u>
1 Coin Counter	101305	14 Fuse, Timer - ABC-2	522703
2 Counter Reset Key-Lock	107715	15 CR3 - Solid State Control Relay (2 Motor Units Only)	506201
3 Reset Switches (2)	107716	16 PLC - D0-05AR - (2 Motor Units)	504510
4 15 Amp Motor Circuit Breaker (2)	502711	PLC - D0-05DR - (3 Motor Units)	504519
5 8 Amp Pump/Comp Ckt Breaker	502710	17 CR2 Solid State Power Relay 20 Amp (Pump/Compressor)	526203
6 Prime Switch	107704	18 CR1 Solid State Power Relay 30 Amp (Vac Motors)	526200
7 Transformer	107808	19 MOV	522704
8 Diagnostic LED (Red) (3)	524605	20 120 Volt Fuse Holder w/ LED	522706
9 Diagnostic LED (Yellow) (3)	524606	21 Fuse, PLC - ABC-2	522703
10 Low Voltage Detector	501103	22 Fuse Holder, Main Power	522705
11 Low Volt Alarm Red LED-6v (2)	504606	23 Fuse, Main Pwr - FNQ-20 (2 Mtr)	502713
12 24 Volt Fuse Holder w/ LED (2)	522707	Fuse, Main Pwr - FNQ-30 (3 Mtr)	522700
13 Fuse, Transformer - ABC-4	522712		



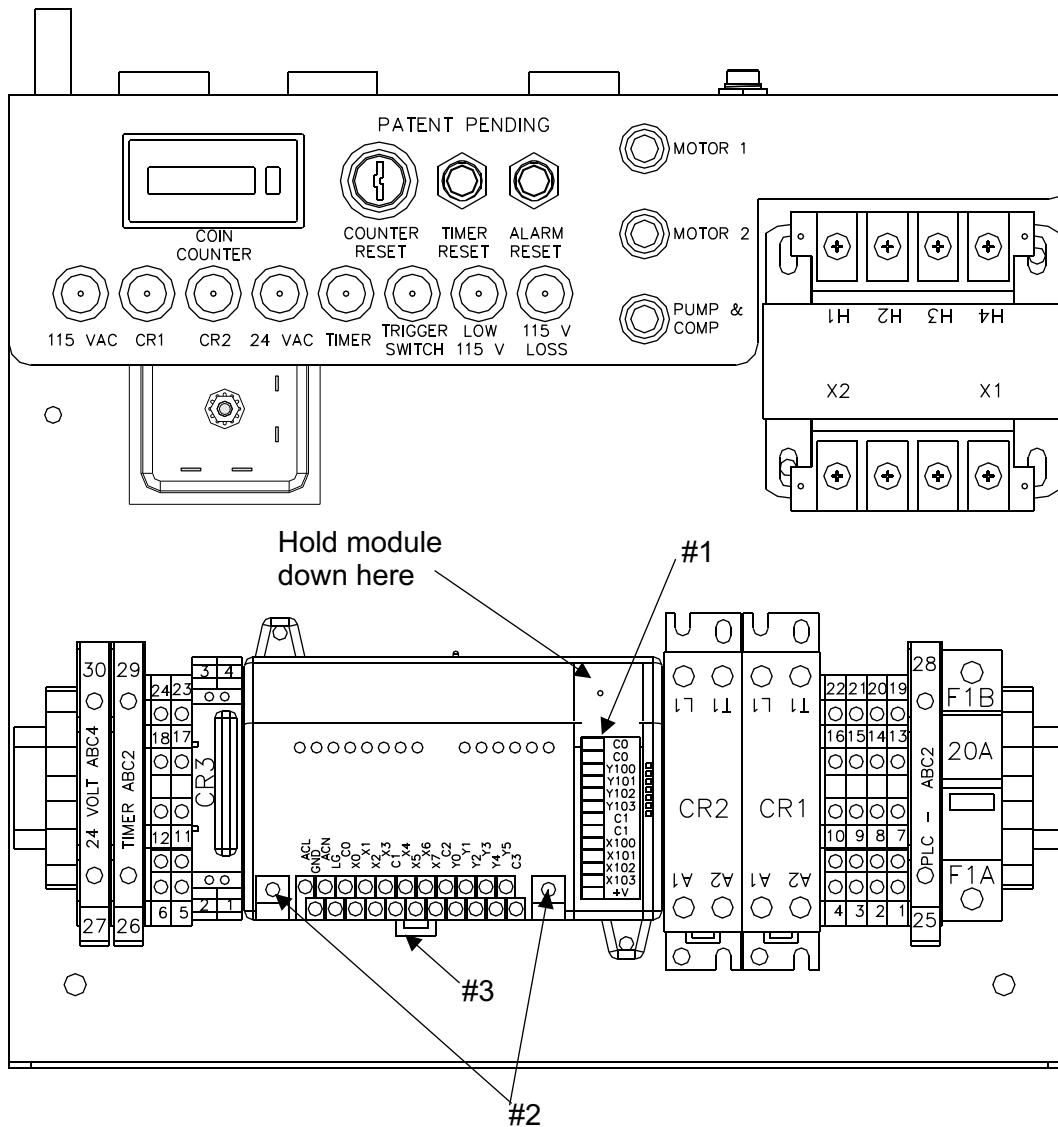
INCREDIBLY POWERFUL

CARPET WIZARD

PLC Replacement Procedures

STOP!!!

DISCONNECT THE POWER FROM THE VAC BEFORE STARTING THIS PROCEDURE. FAILURE TO DO SO WILL RESULT IN MAJOR DAMAGE TO PLC!



PLC Replacement Procedures:

Following the arrows shown below,

#1 Hold module where shown and gently work green plug loose from module.

#2 Loosen 2 screws, when fully loosened pull connector up and off of the PLC.

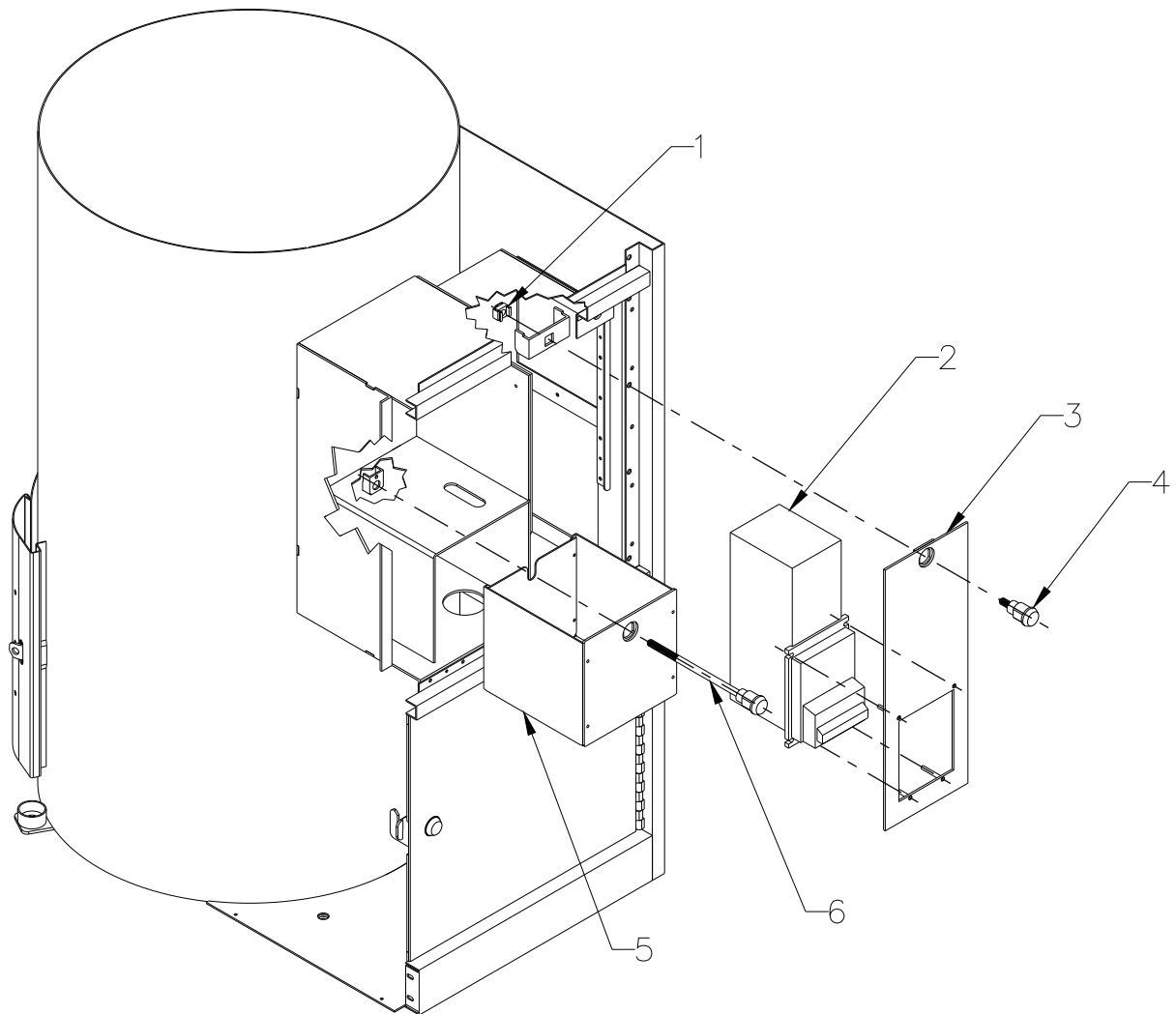
#3 Use small straight slot screw driver to pull this latch clip down until it latches open. Rock PLC up slightly and slide up enough to clear the DIN rail.

Note:
2 motor unit is shown,
3 motor unit procedure is identical.



CARPET WIZARD

Parts Sheet - Commerce



	Part Description	Part Number
1	Cage Nut	105334
2	Mars Bill Validator	100259
3	Bill Validator Plate	525807
4	Medico Screw Lock	504805
5	Coin Drawer Vault	525806
6	Long Medico Screw Lock	504806



INCREDIBLY POWERFUL

Parts Sheet - Cabinet Doors

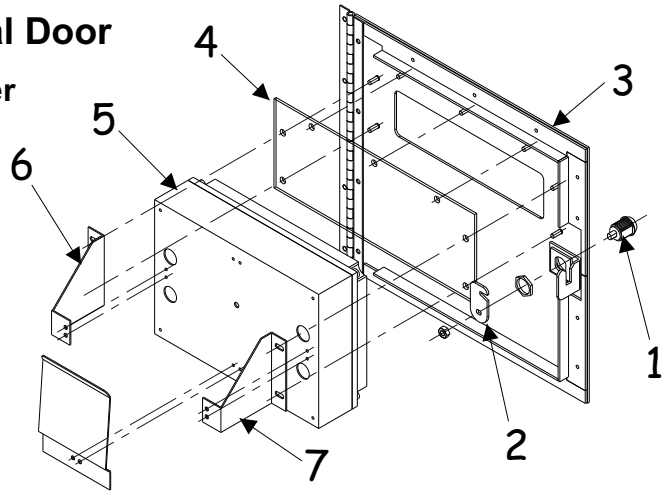
Electrical Door

Part Description

- 1 LAI Lock
- 2 Lock Cam
- 3 Top Door with Decal
- Top Door Decal Only
- 4 Display Lens
- 5 Bt912 Display Timer
- 6 RH Timer Bracket
- 7 LH Timer Bracket

Part Number

- 504804
- 504807
- 515803
- 512311
- 524701
- 528000
- 521006
- 521005



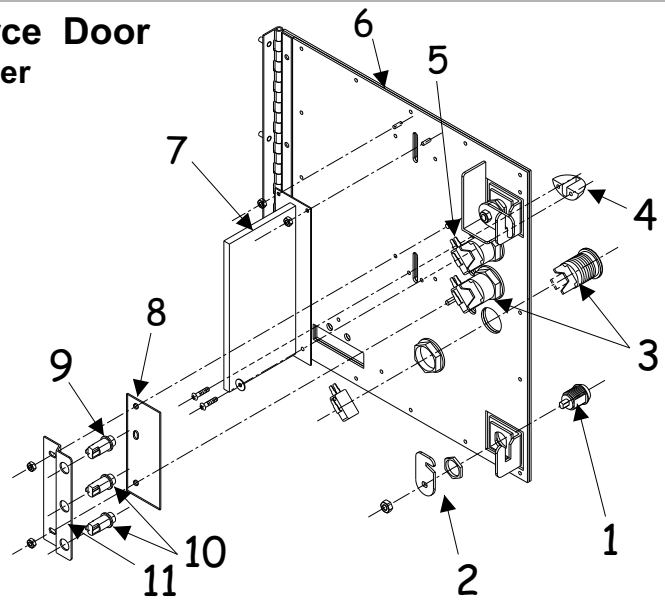
Commerce Door

Part Description

- 1 LAI Lock
- 2 Lock Cam
- 3 Red Happ Button
- 4 Coin Catcher
- 5 Yellow Happ Button
- 6 Middle Door for Validator & Decal
- Middle Door no Validator & Decal
- Middle Door for Validator Decal Only
- Middle Door no Validator Decal Only
- 7 Coin Acceptor Options (call salesman for details)
- 8 Indicator Lens
- 9 Yellow Panel Lamp
- 10 Red Panel Lamp
- 11 Indicator Mount

Part Number

- 504804
- 504807
- 507705
- 100206
- 507706
- 515804
- 515810
- 512313
- 512314
- 514701
- 524608
- 524607
- 511004



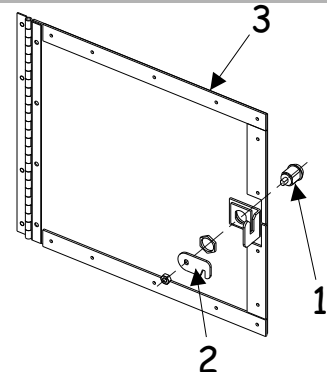
Product Door

Part Description

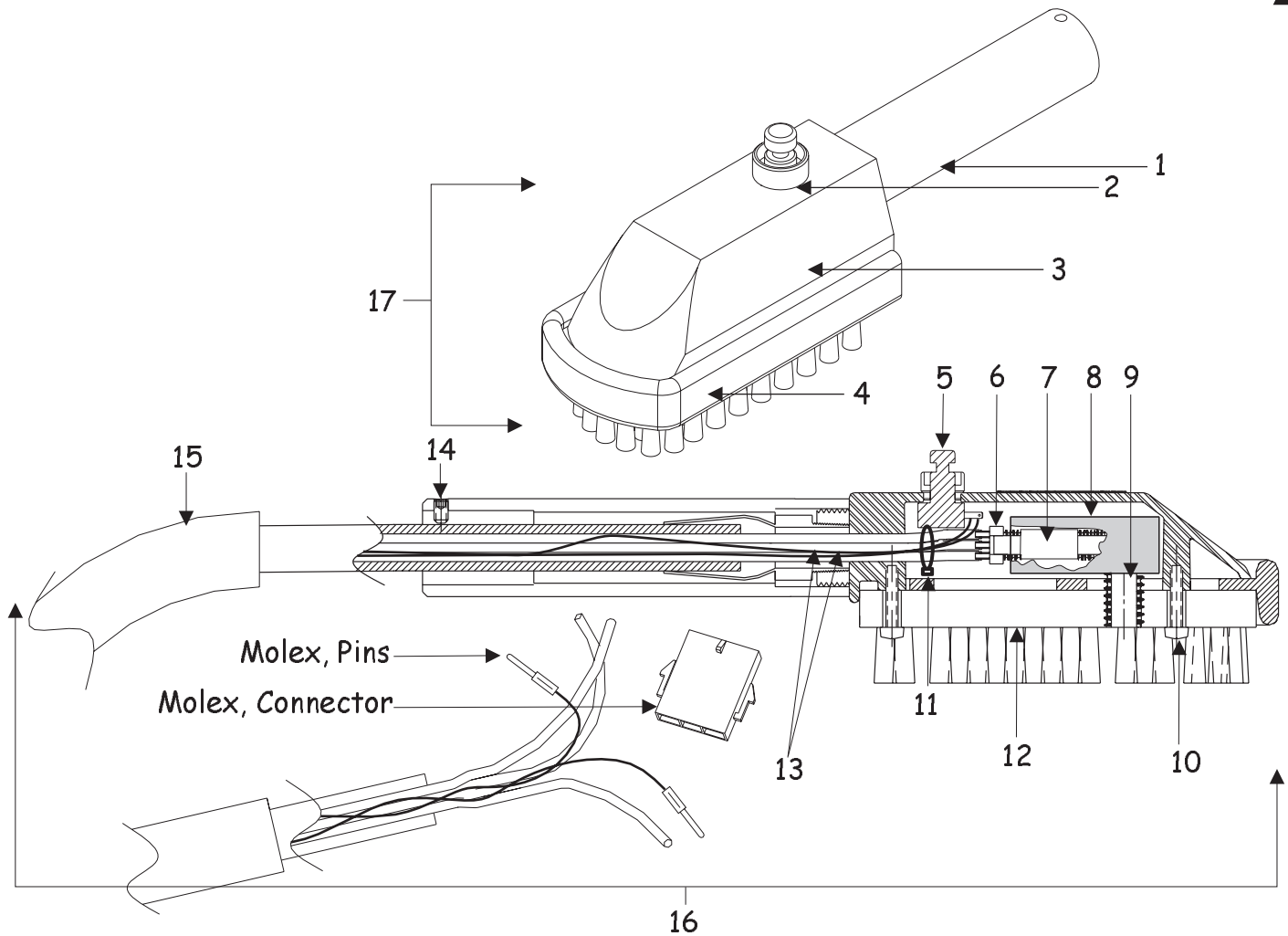
- 1 LAI Lock
- 2 Lock Cam
- 3 Bottom Door with Decal
- Bottom Door Decal Only

Part Number

- 504804
- 504807
- 515805
- 512312



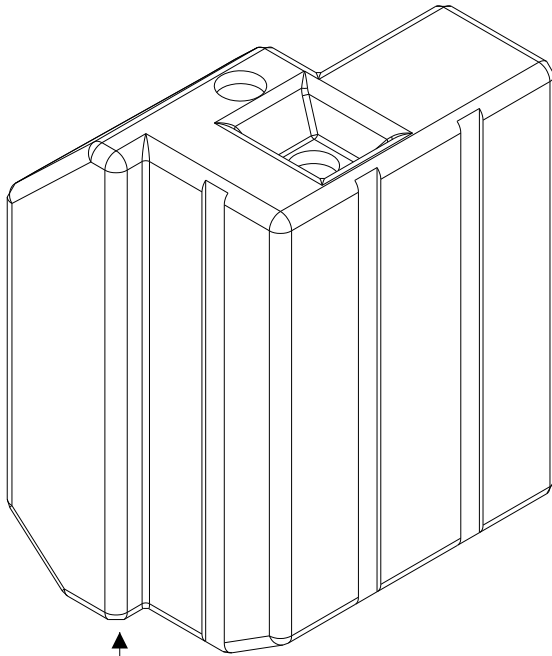
Parts Sheet - Brush Assembly



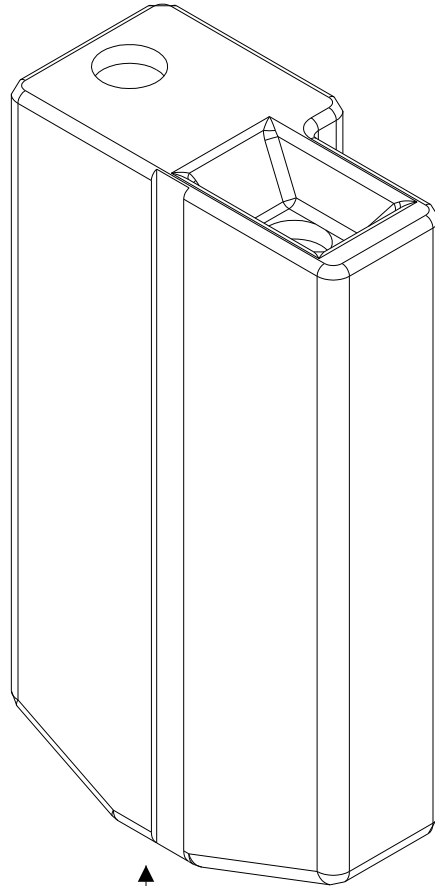
PART DESCRIPTION	PART NUMBER	PART DESCRIPTION	PART NUMBER
1 Brush Hose Handle	518207	13 Carpet Wizard Tube and Wire Kit Includes: Molex Pins Molex Connector	514508
2 Switch Ring	505300	14 #10-24 x 3/8" Set Screw	106995
3 Brush Body	518211	15 Complete Power Wash Hose Assembly	514001
4 Brush Bumper	518210	16 Full Assembly w/ Hose and Brush	518209
5 Switch	517704	17 Brush Kit: Brush, Body, Bumper	518206
6 3 Port Straight Tube Fitting	513002		
7 Foam Generation Media	518212		
8 Foam Block	510800		
9 1/4 NPT Nipple	103011		
10 #8-32 x 3/4" Screw	106966		
11 Nylon Cable Tie 3-7/8"	101806		
12 Brush Block	518206		



Parts Sheet - Product

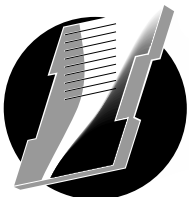


1



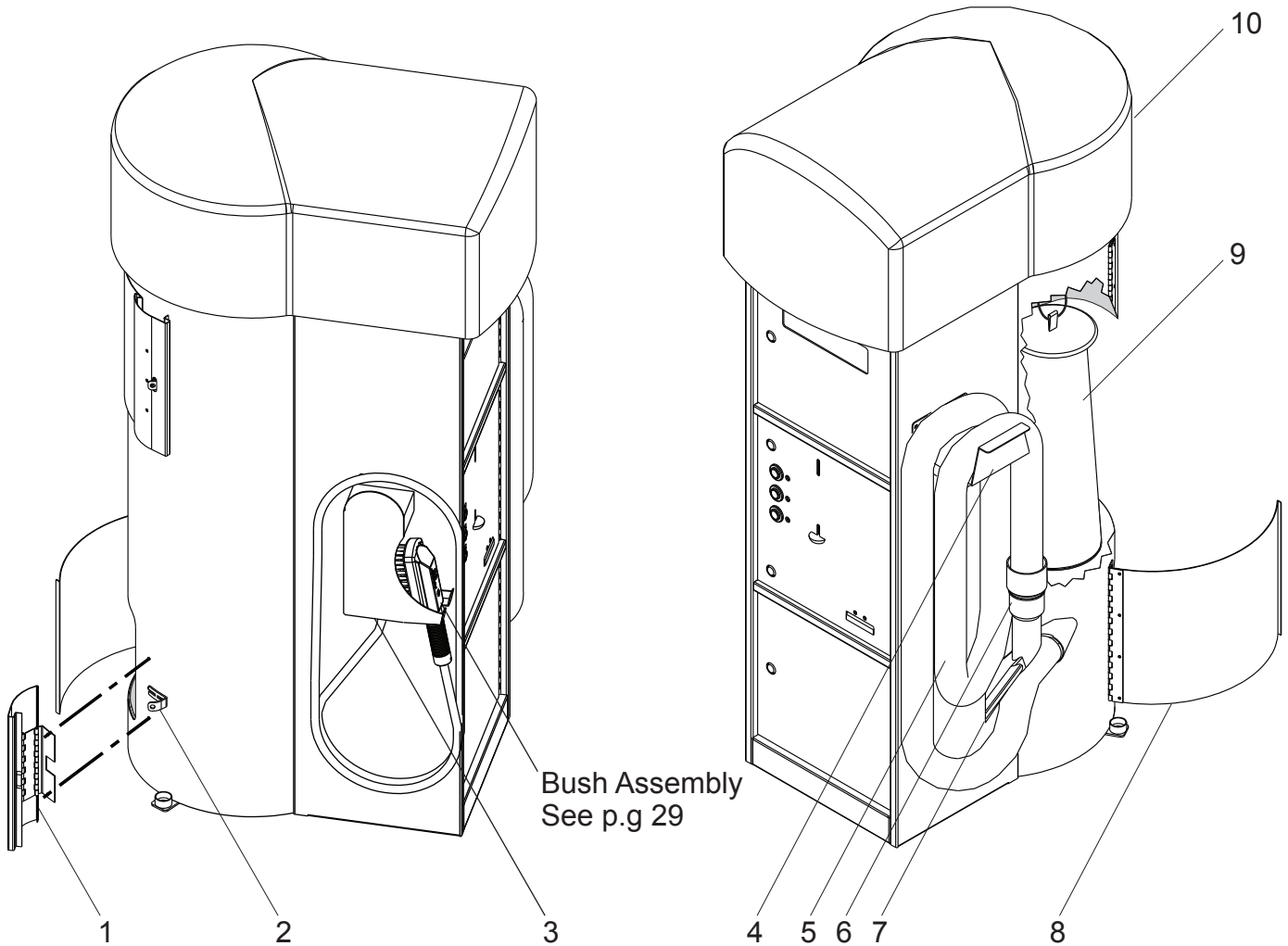
2

Part Description	Part Number
1 Water Container (yellow)	507908
2 Concentrate Container (red)	507907



CARPET WIZARD

Parts Sheet - Vac Accessories



Part Description

Part Number

Part Description

Part Number

- 1 Latchless Lock
- 2 Lock Hasp
- 3 Brush Holder
- 4 Hose Hanger
- 5 Vac Hose 2" Colors:
 - Red 104010
 - Blue 104011
 - Yellow 104012
 - Green 104014
 - Gray 104001

- 104708
- 104710
- 519401
- 501005

- 6 Cuff 2"
- 7 Tool 2" (Claw)
- 8 Clean Out Doors
- 9 Filter Bags includes Wire Ties
- 10 Dome Colors:
 - Red 502501
 - Blue 502504
 - Yellow 502502
 - White 502503

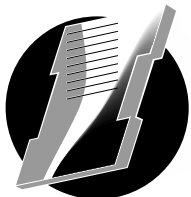
- 102104
- 108200
- 105855
- 502900



INCREDIBLY POWERFUL

CARPET WIZARD

NOTES



INCREDIBLY POWERFUL